

The most portable system

The L1 Pro8 is ready whenever you are, enabling easier load-in and faster setup. With an eight-driver articulated C-shape line array, the L1 Pro8 offers 180 degrees of horizontal sound coverage, equipping singer-songwriters and DJs for small venues like coffee shops and cafes.

Mid High Array

C-shaped line array featuring 8 articulated 2" neodymium drivers; 180-degree horizontal coverage with wide vertical dispersion, allowing your audience to hear clearly whether they are seated or standing, even off to the extreme sides in small venues.

Extension

Provides dual height positions for the mid high array to achieve optimal ear height. Use extension when placed on the ground or floor. Possibly remove extension when placed on elevated platform like a stage or table.

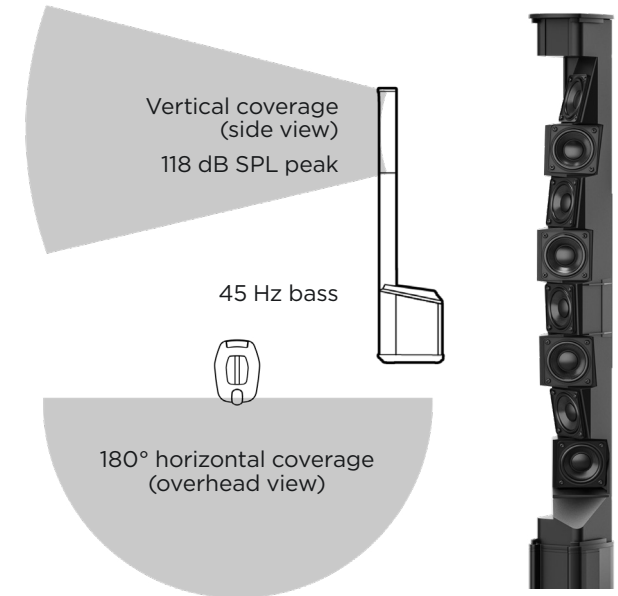
Integrated subwoofer

Featuring a high-excursion 7" x 13" RaceTrack driver; performance that rivals a conventional 12" woofer.



Built-in mixer

The back of the subwoofer incorporates a powered mixer that connects various audio sources with two combo XLR-1/4" phantom-powered inputs, 1/4" and 1/8" (3.5 mm) aux input, plus Bluetooth® streaming — and access channel volume, tone, and reverb via illuminated controls, with ToneMatch presets and system EQ.



Specifications	L1 PRO8
Loudspeaker Type	8 x articulated cricket drivers w/ integrated 7" x 13" racetrack transducer
Max SPL	112 dB (cont.) 118 dB (peak)
Low-Frequency	45 Hz
Coverage	180° H x +/-20° V
Vertical Beam Type	C-shape
Amplifier Design	Class D, 60W mid-high array + 240W sub
Onboard Mixer	3 Channel
System Includes	1 x mid-high array 1 x array extension Subwoofer power stand AC power cord Carry bag
Dimensions (H x W x D)	200.5 x 31.8 x 44 cm (78.9 x 12.5 x 17.3 in)
Net Weight	18 kg (54.8 lb)